

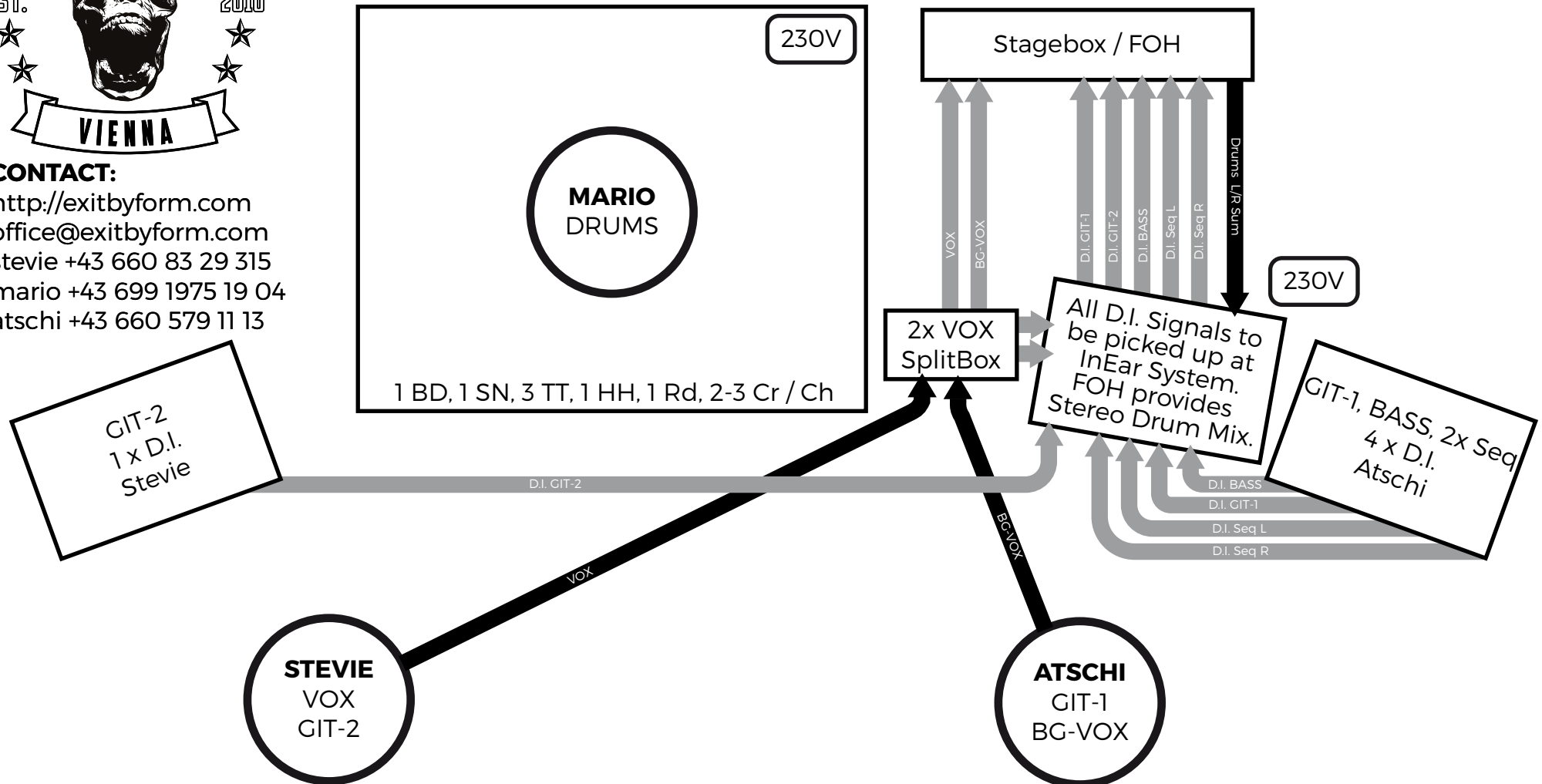


# Exit by Form STAGE-RIDER

2019 v2

**CONTACT:**

<http://exitbyform.com>  
[office@exitbyform.com](mailto:office@exitbyform.com)  
 stevie +43 660 83 29 315  
 mario +43 699 1975 19 04  
 atschl +43 660 579 11 13



**INEAR MONITORING ARCHITECTURE:**

**GIT-1, GIT-2:** D.I. Signal looped through InEar System Patchbay, balanced signal to Stagebox / FOH

**BASS:** D.I. Signal looped through InEar System Patchbay, balanced signal to Stagebox / FOH

**SEQUENCER:** Stereo balanced signal looped through InEar Patchbay, balanced signal (L + R) to Stagebox / FOH.

**VOX, BG-VOX:** Mic signals splitted by Splitter Boxes, one signal each to Stagebox / FOH, other signal to InEar Patchbay

**DRUMS:** Stereo Drum Mix provided by Stagebox / FOH sent to InEar Patchbay